

### Surge Protective Device

### Technical Documentation



233120NS40KAN2N0



233120NS13KAN2N0

The **ASCO Model 233** is designed to protect sensitive electronic equipment such as traffic controllers, from high energy surges. Model 233 incorporates MOV technology which clamps these surges before equipment damage occurs.

Model 233 is intended for use on bonded neutral to ground applications.

### Key Specs

- **Voltage:** 120 VAC
- **Current:** NA (Parallel)
- **Connection:** 1/4-20 or 10-32 Stainless Steel Studs
- **Mounting:** Flange

\*See Ordering Information for model number selection

### Features

- 13kA and 40kA surge protection
- Fast response time
- Solid-state design
- Epoxy encapsulated
- 5 year warranty

### General Technical Specifications

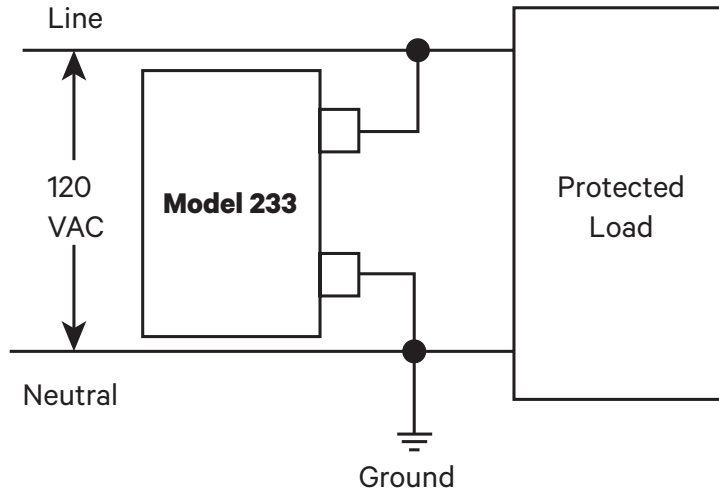
Operating Voltage	120 VAC
Clamping Voltage	395 VAC
Operating Current	NA (Parallel)
Peak Surge Current	233120NS40KAN2N0: 40 kA/Mode/Phase/Total (8 x 20μs) 233120NS13KAN2N0: 13 kA/Mode/Phase/Total (8 x 20μs)
Operating Frequency	47-63 Hz
SPD Technology	Metal Oxide Varistors (MOVs)
Connection Type	233120NS40KAN2N0: 1/4 -20 Stainless Steel Stud 233120NS13KAN2N0: 10-32 Stainless Steel Stud
Operating Temperature	-40°C to +85°C
Dimensions (in / mm)	233120NS40KAN2N0: 1.875" H x 2.875" W x 5.25" L [47.6 x 73.0 x 133.4 mm] 233120NS13KAN2N0: 0.5" H x 1.5" W x 2.0" L [12.7 x 38.1 x 50.8 mm]
Weight (oz / kg)	233120NS40KAN2N0: 1 lb [0.91 kg] 233120NS13KAN2N0: 2 oz [0.06 kg]
Warranty	5 years

### DANGER!

Only qualified personnel should install or service this system. Electrical safety pre-cautions must be followed when installing or servicing this equipment. To prevent risk of electrical shock, turn off and lock out all power sources to the unit before making electrical connections or servicing.

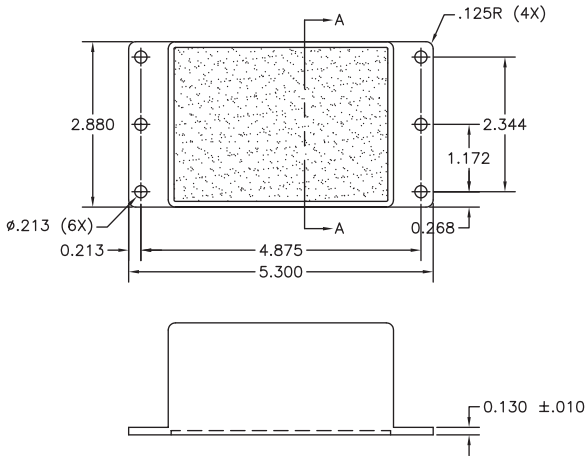
Seulement le personnel qualifié doit installer ou maintenir ce système. Des précautions de sécurité en électricité doivent être suivies lors de l'installation ou de la maintenance de cet équipement. Pour éviter tout risque de choc électrique, débranchez et verrouillez toutes les sources d'alimentation de cet équipement avant de.

## Installation Instructions

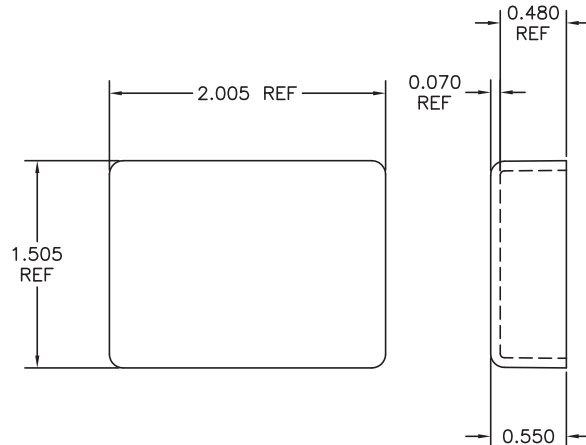


## Dimensions

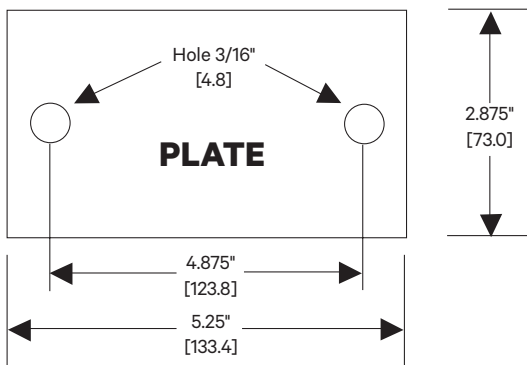
**233120NS40KAN2NO**



**233120NS13KAN2NO**



## Mounting



## Ordering Information

**MODEL**

Former Model Name

**APPLICATION**

**233120NS40KAN2NO**

Edco SPA-300

40kA, 1/4-20 Connection

**233120NS13KAN2NO**

Edco SPA-100T

13kA, 10-32 Connection